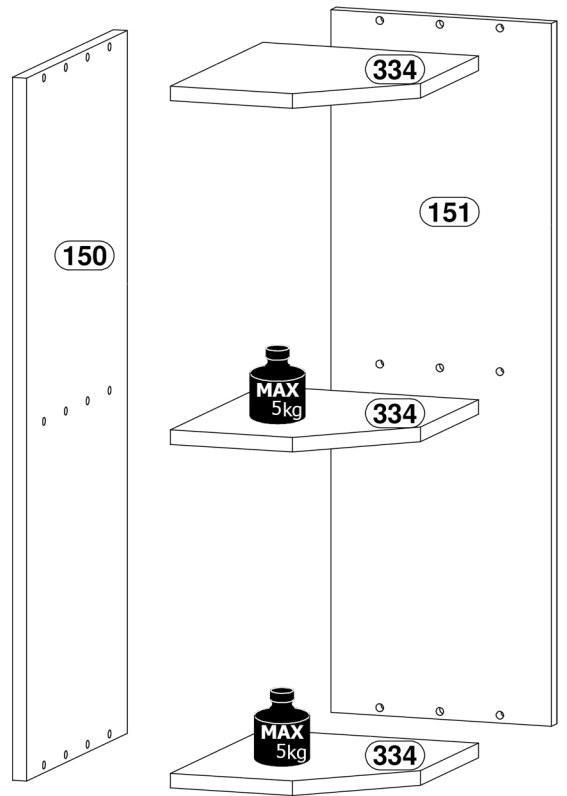
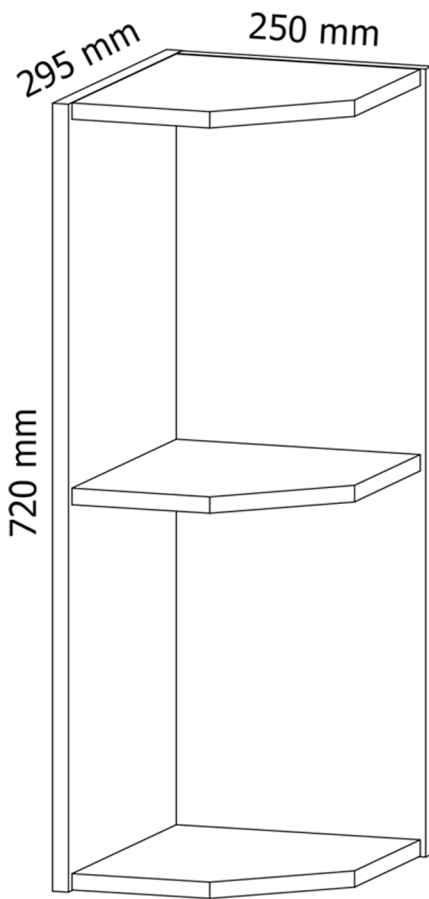
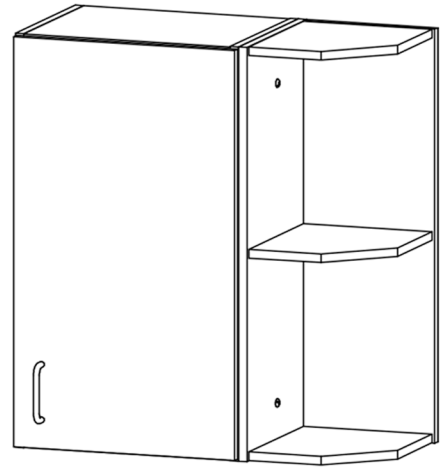
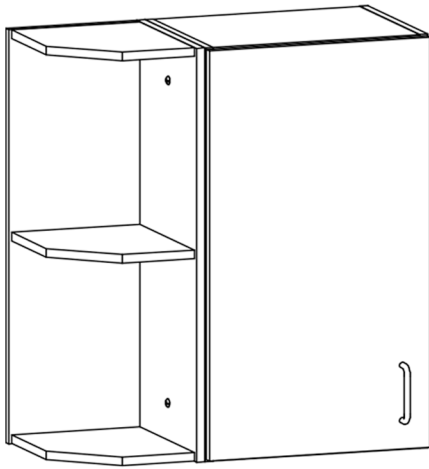
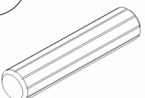
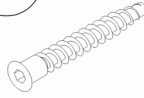

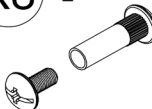



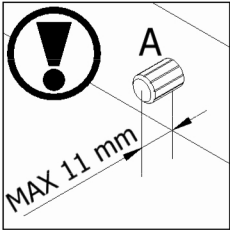
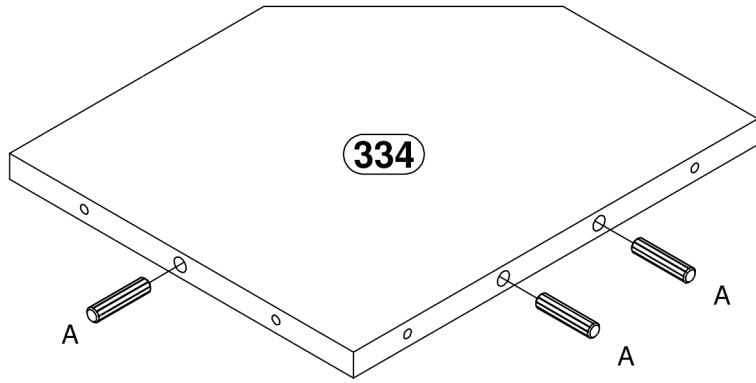
# K02 - G25PZ



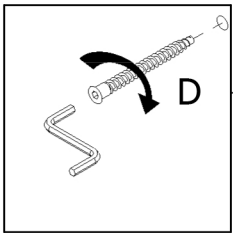
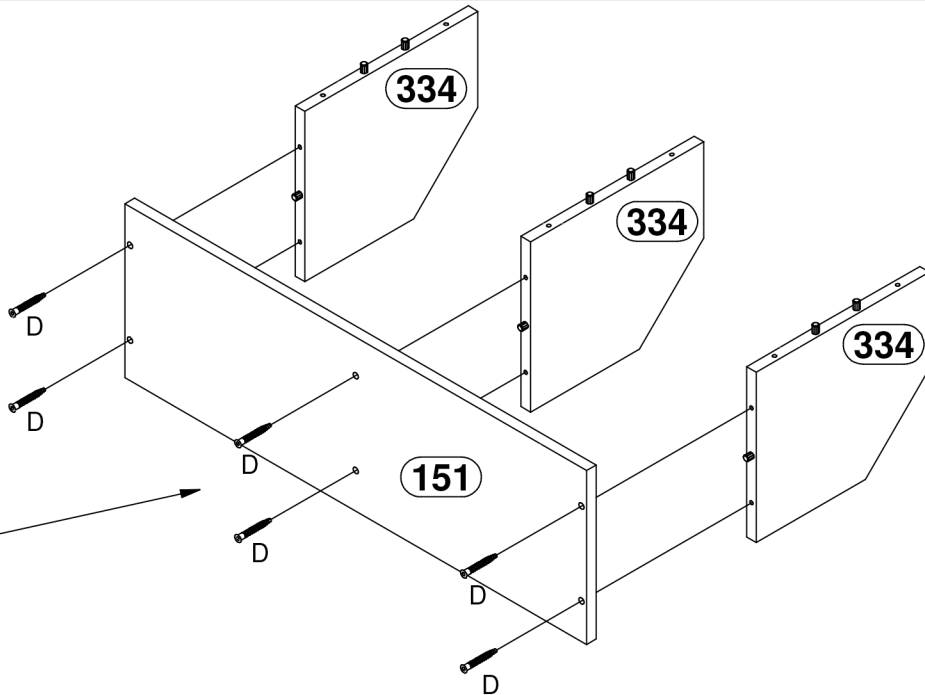
<p><b>A</b> x9</p>  <p>Ø8x35mm</p>	<p><b>D</b> x12</p>  <p>Ø6,4x50 mm</p>	<p><b>KL</b> x1</p> 	<p><b>X8</b> x2</p> 
<p><b>Y2</b> x12</p> 			

# 1

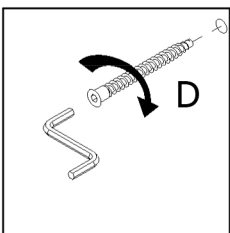
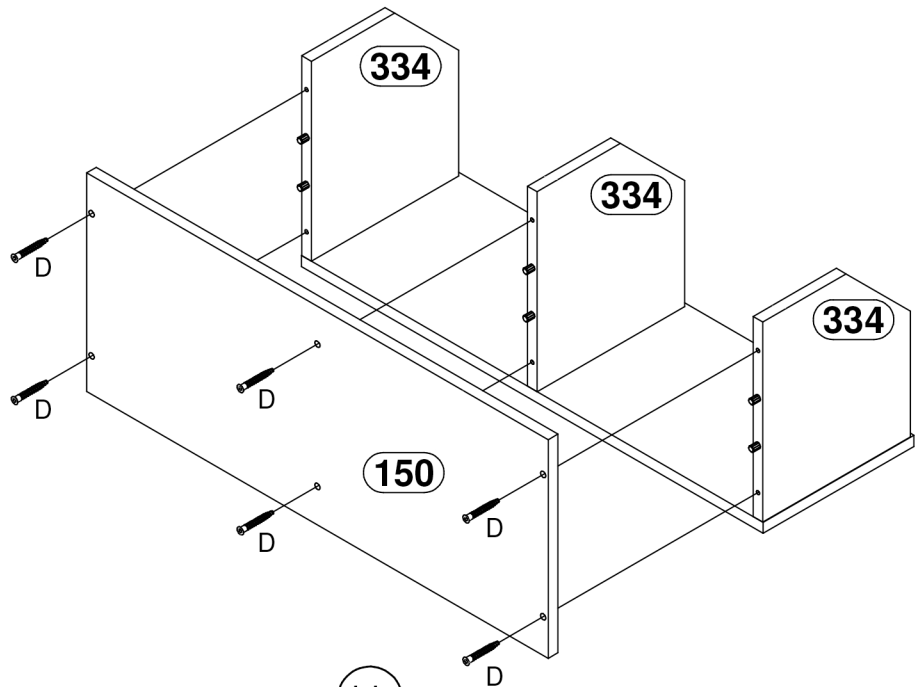
3 x



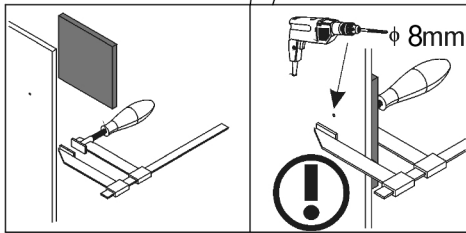
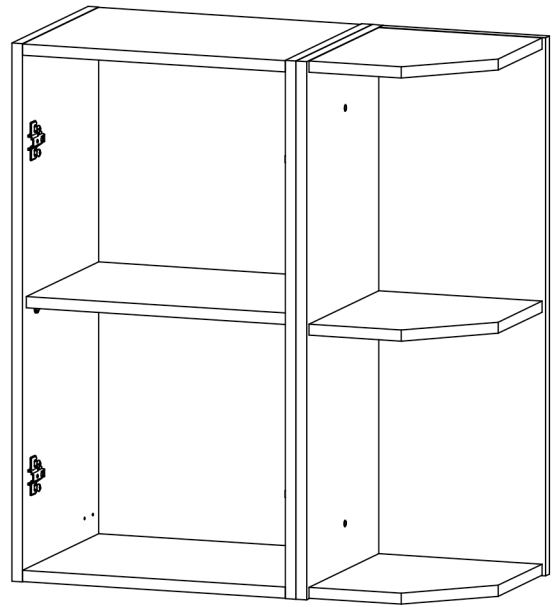
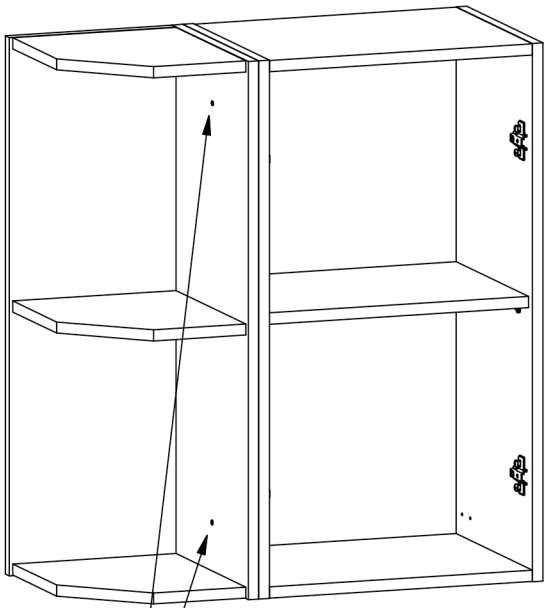
# 2



# 3



# 4



# 5

